

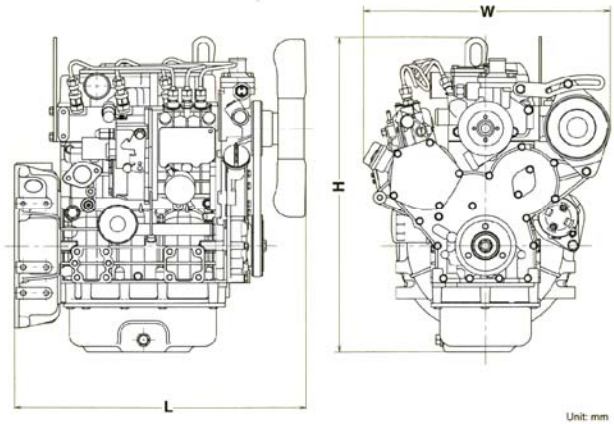
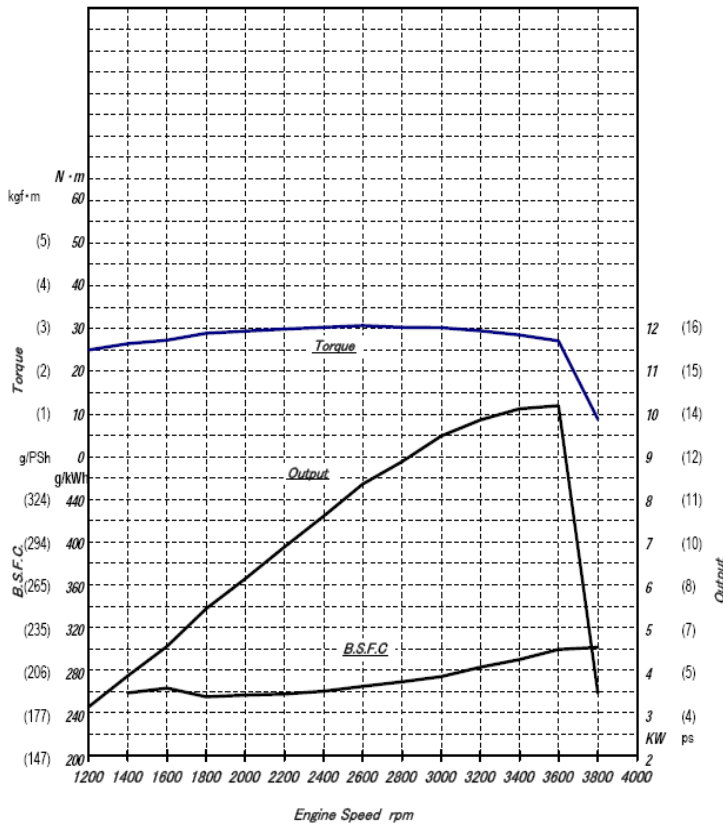


2TNV70-ASA

Industrial Diesel Engine

Performance Data

Dimensions



Length	16.4 in (418 mm)
Width	17.6 in (449 mm)
Height	20.5 in (523 mm)

Note: Dimensions depend on final specifications.

kW to Hp conversion used is expressed as: $hp = (kW \text{ value}) \times 1.34$

Rated Speed (rpm)	Net rated kW	Net rated hp	Intermediate Torque (ft-lb)
3600	10.2	13.7	23.8 @ 2600 rpm

Ratings Definitions and Conditions

*Rated power listed is NET engine output. The engine operating environment and driven machine conditions must be studied carefully when selecting an engine in order to ensure correct engine selection, maximize engine performance, extend engine service life and improve machine capacity.

Consult the TNV Application Manual for additional engine ratings and engine application information.

Application standards for Yanmar industrial engines: Inlet air standard conditions with a total barometric pressure of 100kPa (29.5 in. Hg), with 30% relative humidity, and 25° C (77°F).

Materials and specifications herein are intended to serve as a guide in engine selection and subject to change without notice. The International System of Units (SI) is used in this publication. Yanmar and its logos, as well as corporate identity used herein, are trademarks of Yanmar and may not be used without permission.